



# ST 1308

Supreme Tweeter,  
 Ø 130mm, 8Ω  
 offset dome

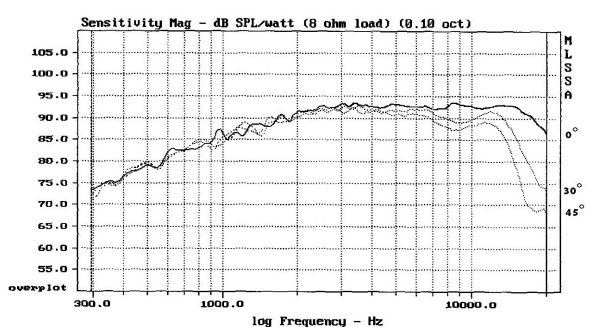
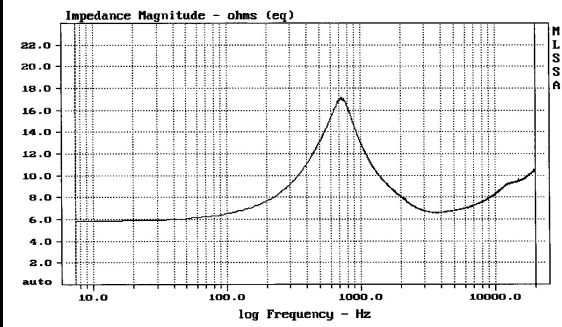
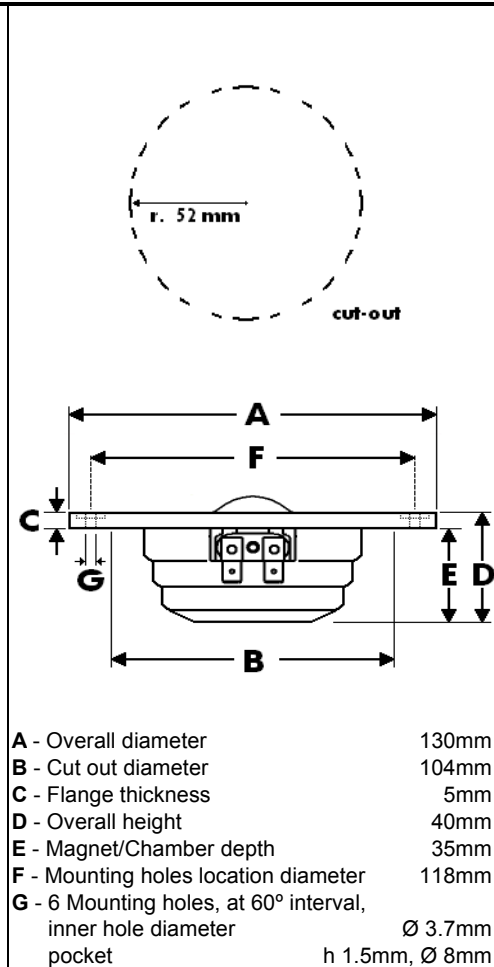


**Features:**

- \* Underhung voice coil
- \* Large Hexatech™ aluminum voice coil
- \* 130 mm offset dome aluminum face plate
- \* Replaceable Acuflex™ dome / coil assembly
- \* Neodymium flat pancake design magnet
- \* High power handling

**SPECIFICATIONS**

General Data		
Overall Dimensions	<b>DxH</b>	130 mm (5.12") x 40mm (1.57")
Nominal Power Handling (DIN)	<b>P</b>	220W/12dB
Transient Power 10ms		1000W
Sensitivity 2.83V/1M		91.5dB SPL
Frequency Response		See graph
Dome Material		Acuflex™ hand coated soft dome
Net Weight	<b>Kg</b>	0.52
Electrical Data		
Nominal Impedance	<b>Z</b>	8Ω
DC Resistance	<b>Re</b>	5.2Ω
Voice Coil Inductance @ 1KHz	<b>LBM</b>	0.09mH
Voice Coil and Magnet Parameters		
Voice Coil Diameter	<b>DIA</b>	28mm
Voice Coil Height		2.7mm
HE Magnetic Gap Height	<b>HE</b>	4.2mm
Max. Linear Excursion	<b>X</b>	
Voice Coil Former		Aluminum
Voice Coil Wire		Hexatech™ Aluminum
Number Of Layers		2
Magnet System Type		Neodymium Flat Pancake
B Flux Density	<b>B</b>	1.8 T
BL Product	<b>BXL</b>	
T-S Parameters		
Suspension Compliance	<b>Cms</b>	
Mechanical Q Factor	<b>Qms</b>	
Electrical Q Factor	<b>Qes</b>	
Total Q Factor	<b>Qts</b>	
Mechanical Resistance	<b>Rms</b>	
Moving Mass	<b>Mms</b>	0.44 g
Eq. Cas Air Load (liters)	<b>VAS</b>	
Resonant Frequency	<b>Fs</b>	680 Hz ±10%
Effective Piston Area	<b>SD</b>	6.0 cm <sup>2</sup>



Measured on IEC baffle using Bruel & Kjaer 3144 model microphone.

Morel operate policy of continuous product design improvement, consequently specifications are subject to alteration without prior notice.